

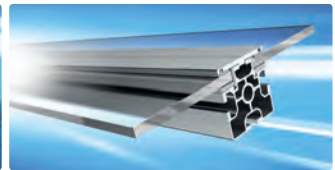
» The Modular Wall System

English
1/2020
EUR

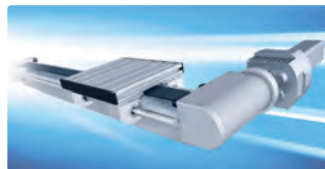
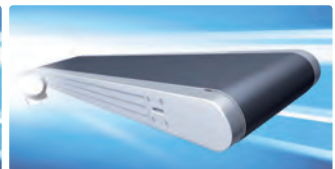
 MayTec®


The Profile System

The Clean-Room System

Safety Barriers

The Modular Wall System

The Tube Clamping System

The Telescopic System

The Linear System

The Conveyor System

The Personnel Transfer System

The Skid Transfer System

The Dust Protection System

The Pipe & Joint System

The Trailer System

powered by

MayCAD
Design Software

MayTube
Design Software

The ideal profile system

MayTec offers a comprehensive, harmonised profile system. All profiles can be combined in any way conceivable.

The accessories provide functional and aesthetic solutions for a wide range of applications.

Applications

- machine bases
- machine enclosures
- machine guarding
- work stations

Service

The MayTec service is as versatile as the MayTec profile system.

You may choose:

- delivery of standard elements ex-factory
- delivery of profiles and accessories cut to size according to parts list for customer's assembly
- delivery of pre-fitted modular components
- delivery of completely assembled units
- assembly at your premises

- assembly and inspection stations
- transfer and supply trolleys
- partitions and protective walls
- protective and work cabinets

Implementation

The MayTec profile system is easy to process and quick to assemble. Its flexible and modular construction means it can be easily modified and is reusable at any time.

An experienced team will support you in implementing the MayTec system, tailored to your individual applications, taking into consideration your dimensions, loading capacity and stability.

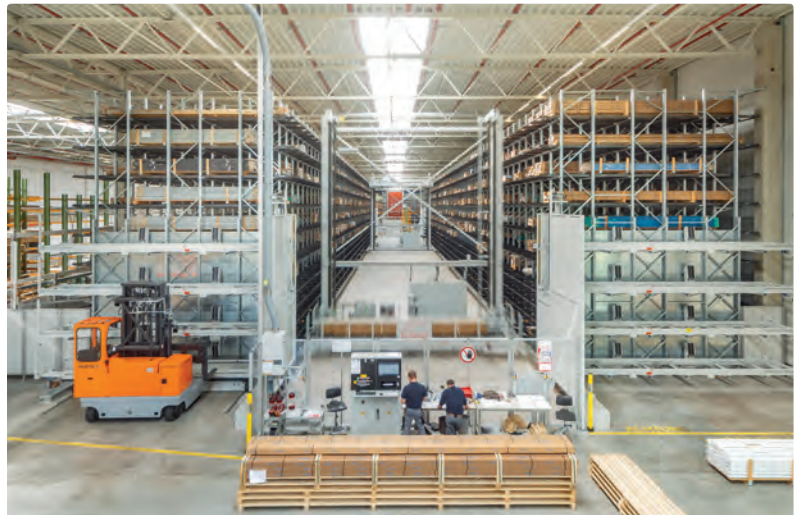
- special shelves
- plant equipment
- display systems
- exhibition cabinets and stands



MayTec GmbH plant in Olching



Accessory storage



Stock of aluminium profiles







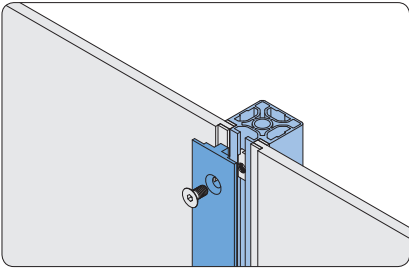
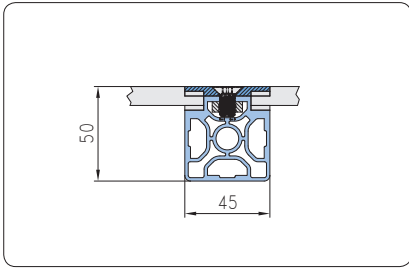
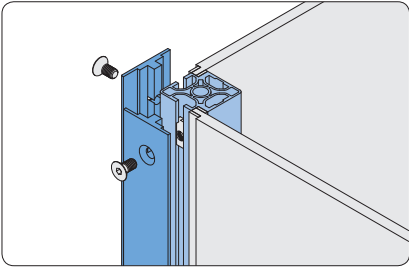
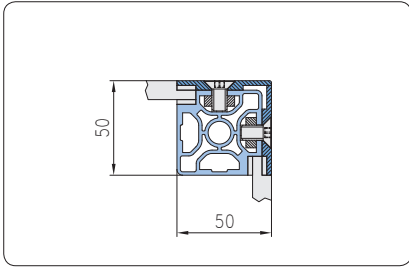
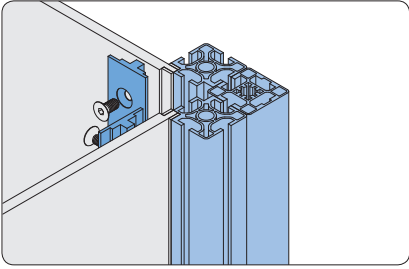
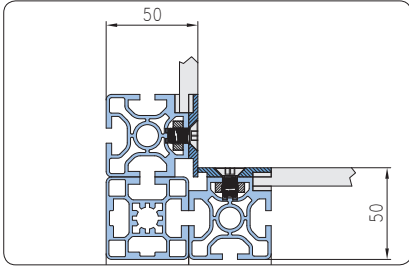
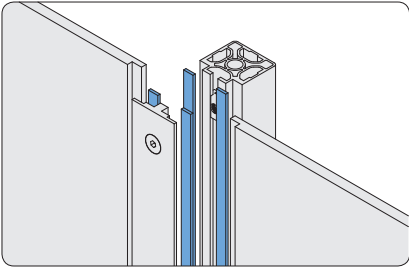
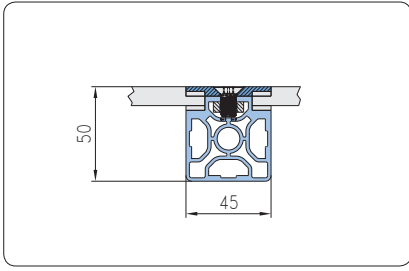
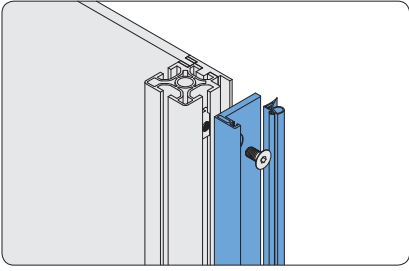
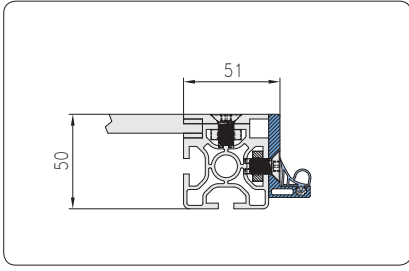
Panel storage











Profile machining

Article number group	Page
10.01 Summary: Modular wall system profiles 45	4
10.01 Single sided system	4
10.11 Modular wall system profiles 45, E4-slot, P (plain)	6
10.01 Summary: Modular wall system profiles 60	8
10.01 Single sided system	8
10.01 Double sided system	10
10.11 Modular wall system profiles 60, E4-slot, P (plain)	12
10.19 Profiles.....	14
10.19 Compression profiles	14
10.19 Door stop profile	14
10.19 Ceiling frame profiles	14
10.4 Installation accessories	15
10.41 Seals	15
10.41 Door seal	16
10.8 Panel elements	17
10.81 Corner piece 40×10	17
Price list.....	18

Single sided system





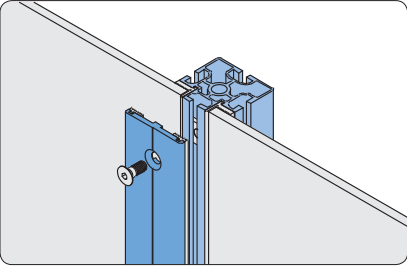
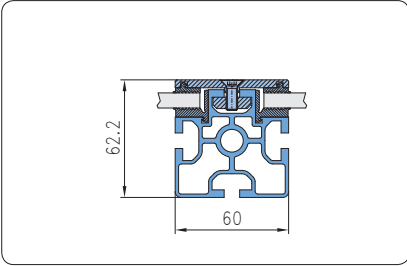

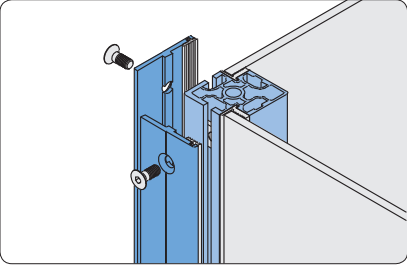
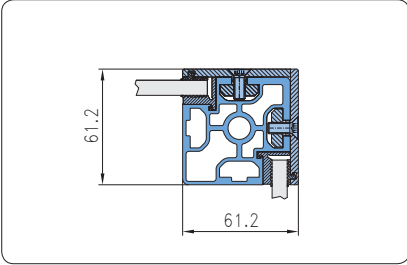

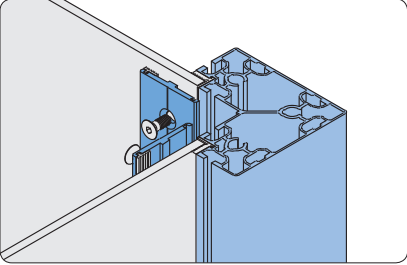
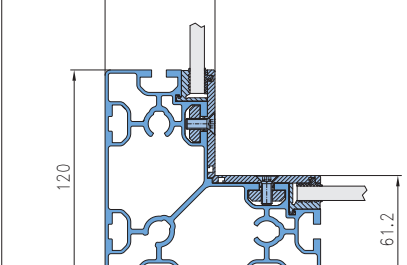
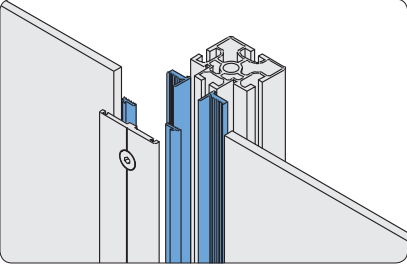
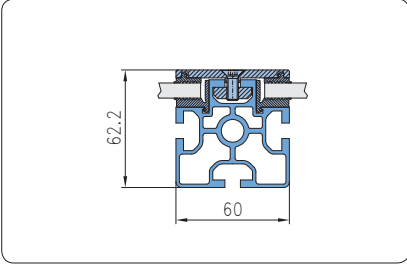

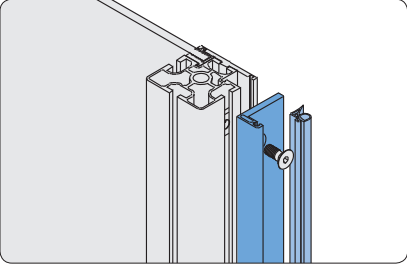
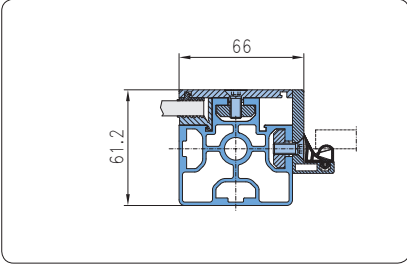

		Profile			
		45×45, 2E, corner, LP	45×45, 1E, LP	45×45, 4E, LP	45×45, 4E, LP
					
			●		
		●			
				●	●
			●		
			●		

































Compression profile				Seal for panel							Seal for compression profile	Door	
40x5	45x5	47.5x5	50x5	2.5 mm	3 mm	4 mm	5 mm	6 mm	8 mm	10 mm		stop profile	seal
				-									
	●			●							●		
		●	●	●							●		
●	●			●							●		
	●			●							●		
	●			●							●	●	●

light				
Description	Profile 45×45, 2E, corner, LP	Profile 45×45, 4E, LP	Profile 45×45, 1E, LP	Profile 45×45, 4E, LP
bar, 6 m	10.11.045045.22LP.60		10.11.045045.13LP.60	10.11.045045.43LP.60
packing unit (number)	10.11.045045.22LP.61 (8)		10.11.045045.13LP.61 (8)	10.11.045045.43LP.61 (8)
moment of inertia cm ⁴	$I_x = 13.2$ $I_y = 14.5$	$I_x =$ $I_y =$	$I_x = 13.5$ $I_y = 15.0$	$I_x = 12.8$ $I_y = 13.5$
moment of resistance cm ³	$W_x = 5.9$ $W_y = 6.4$	$W_x =$ $W_y =$	$W_x = 6.0$ $W_y = 6.6$	$W_x = 5.7$ $W_y = 6.0$
weight kg/m	$G = 2.0$	$G =$	$G = 2.1$	$G = 1.9$





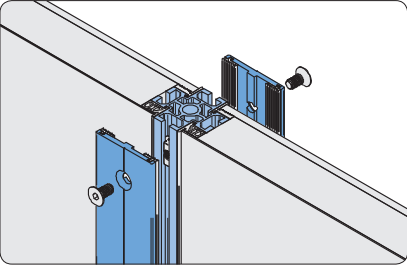
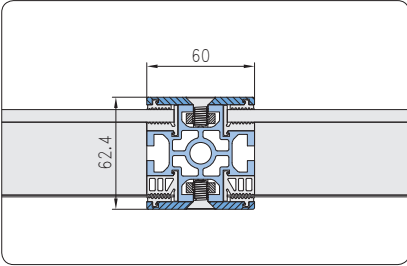
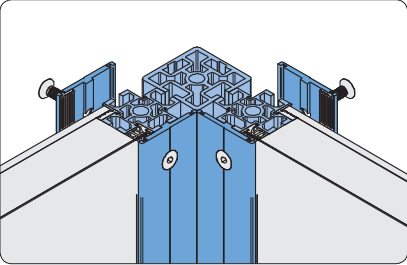
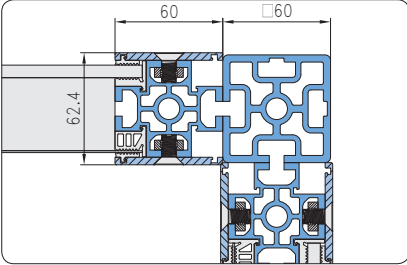
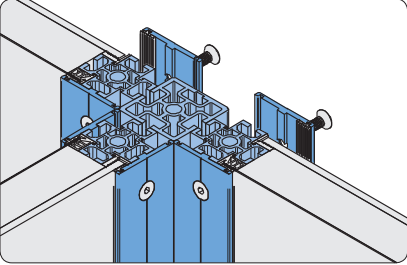
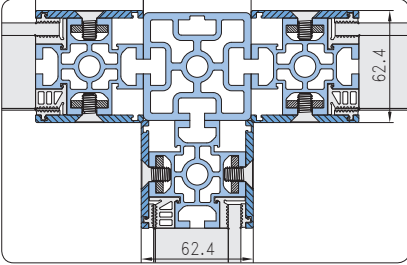
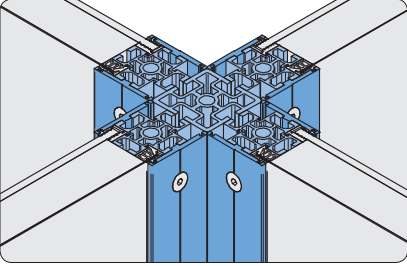
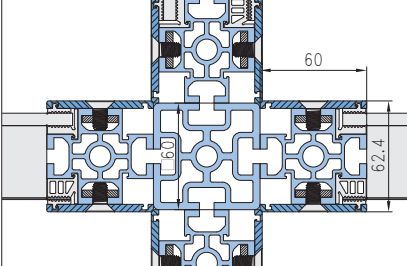
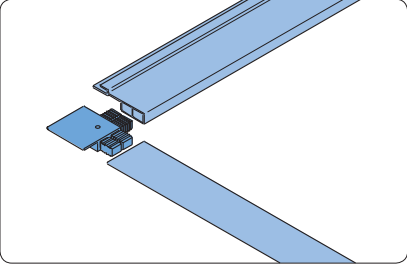
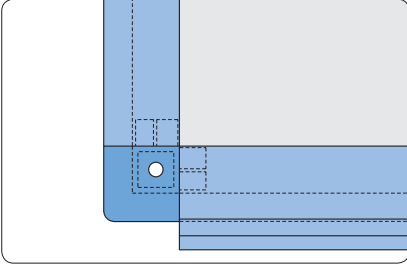
heavy				
 bore hole for thread M14	 	 	 	
Description	Profile 45×45 2E, corner, LP		Profile 45×45, 2E, LP	Profile 45×45, 4E, LP
bar, 6 m	1.11.045045.22LP.60		1.11.045045.23LP.60	1.11.045045.43LP.60
packing unit (number)	1.11.045045.22LP.61 (8)		1.11.045045.23LP.61 (8)	1.11.045045.43LP.61 (8)
moment of inertia cm ⁴	$I_x = 14.7$ $I_y = 14.7$		$I_x = 14.0$ $I_y = 15.5$	$I_x = 13.5$ $I_y = 13.5$
moment of resistance cm ³	$W_x = 6.6$ $W_y = 6.6$		$W_x = 6.2$ $W_y = 6.9$	$W_x = 6.0$ $W_y = 6.0$
weight kg/m	$G = 2.0$		$G = 2.0$	$G = 1.9$
















Single sided system

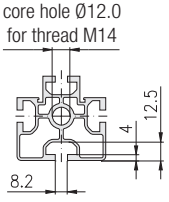




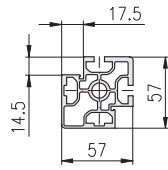
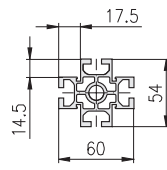
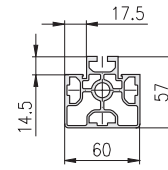
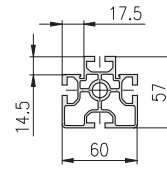
		Profile			
		57×57, 2E, corner, LP	60×57, 1E, LP	60×57, 4E, LP	60×117, 6E, LP
					
					
					
External corner					
					
Internal corner					
					
Intermediate element					
					
Door stop profile with door seal					

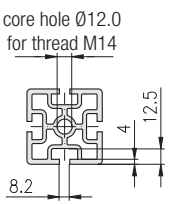
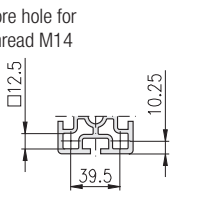



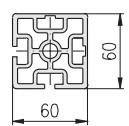
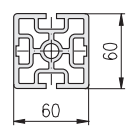
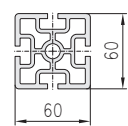
Profile 120×120, 4E, angle, LP	Compression profile				Seal for panel								Seal for compression profile	Door	
	57×4	61×4	60×4	60×4 with chamfer	2 mm	3 mm	4 mm	5 mm	6 mm	8 mm	10 mm		stop profile	seal	
															
															
															
															
															
															

Double sided system


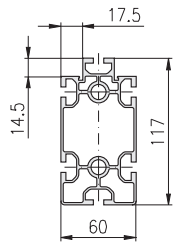
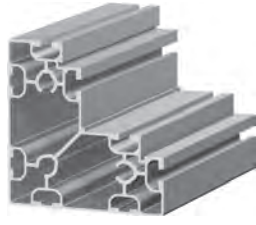
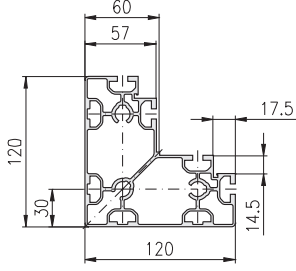
		Profile			
		60×54, 2E, LP	60×60, 2E, corner, SP	60×60, 2E, SP	60×60, 4E, SP
					
		●			
		●	●		
		●		●	
		●			●
					
Ceiling frame profile with corner piece 40×10					




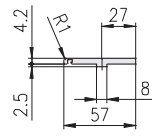
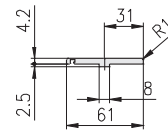
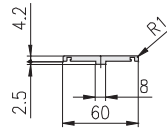
Compression profile				Seal for panel							Seal for compression profile	Ceiling frame profile		Corner piece
57×4	61×4	60×4	60×4 with chamfer	2 mm	3 mm	4 mm	5 mm	6 mm	8 mm	10 mm		type A	type B	
														
		●		●					●		●			
		●	●	●					●		●			
		●	●	●					●		●			
			●	●					●		●			
												●	●	●


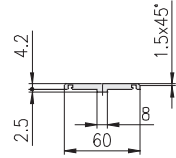
light				
				
				
Description	Profile 57×57, 2E, corner, LP	Profile 60×54, 4E, LP	Profile 60×57, 1E, LP	Profile 60×57, 4E, LP
bar, 6 m	10.11.057057.22LP.60	10.11.060054.44LP.60	10.11.060057.14LP.60	10.11.060057.44LP.60
packing unit (number)	10.11.057057.22LP.61 (6)	10.11.060054.44LP.61 (6)	10.11.060057.14LP.61 (6)	10.11.060057.44LP.61 (6)
moment of inertia cm ⁴	$I_x = 36.2$ $I_y = 36.2$	$I_x = 22.8$ $I_y = 17.7$	$I_x = 26.7$ $I_y = 31.5$	$I_x = 25.7$ $I_y = 29.0$
moment of resistance cm ³	$W_x = 12.1$ $W_y = 12.1$	$W_x = 7.6$ $W_y = 5.9$	$W_x = 8.9$ $W_y = 10.5$	$W_x = 8.6$ $W_y = 9.7$
weight kg/m	$G = 2.7$	$G = 2.4$	$G = 2.6$	$G = 2.5$


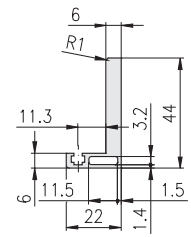
heavy				
 				
				
Description	Profile 60×60, 2E, corner, SP		Profile 60×60, 2E, SP	Profile 60×60, 4E, SP
bar, 6 m	1.11.060060.22SP.60		1.11.060060.23SP.60	1.11.060060.43SP.60
packing unit (number)	1.11.060060.22SP.61 (6)		1.11.060060.23SP.61 (6)	1.11.060060.43SP.61 (6)
moment of inertia cm ⁴	$I_x = 57.2$ $I_y = 57.2$		$I_x = 55.9$ $I_y = 58.5$	$I_x = 56.0$ $I_y = 56.0$
moment of resistance cm ³	$W_x = 19.1$ $W_y = 19.1$		$W_x = 18.6$ $W_y = 19.5$	$W_x = 18.7$ $W_y = 18.7$
weight kg/m	$G = 4.1$		$G = 4.3$	$G = 4.2$



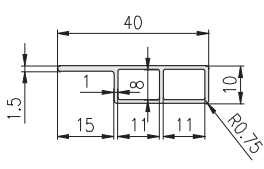
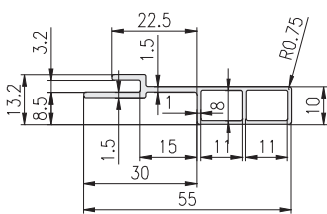
 machining data  Profile machining 1.1A (Catalogue "The Profile System")

 	 		
<p>Profile 60×117, 6E, LP</p>	<p>Profile 120×120, 4E, angle, LP</p>		
<p>10.11.060117.64LP.60</p>	<p>10.11.120120.47LP.60</p>		
<p>10.11.060117.64LP.61 (3)</p>	<p>10.11.120120.47LP.61 (2)</p>		
<p>$I_x = 219.7$ $I_y = 57.4$ $W_x = 39.3$ $W_y = 19.1$ $G = 4.0$</p>	<p>$I_x = 210.0$ $I_y = 210.0$ $W_x = 36.2$ $W_y = 36.2$ $G = 5.7$</p>		

Compression profiles				
Technical data material: Al Mg Si 0.5 F25 tensile strength: 250 N/mm ² surface: natural anodised				
				
	Description	Compression profile 57×4	Compression profile 61×4	Compression profile 60×4
	bar, 6 m	10.19.1101.5704.60	10.19.1101.6104.60	10.19.1102.6004.60
	cut to length	10.19.1101.5704-A00A00/□□□□mm	10.19.1101.6104-A00A00/□□□□mm	10.19.1102.6004-A00A00/□□□□mm
weight	kg/m	G = 0.67	G = 0.72	G = 0.68

Compression profile		
Technical data material: Al Mg Si 0.5 F25 tensile strength: 250 N/mm ² surface: natural anodised		
		
	Description	Compression profile 60×4 with chamfer
	bar, 6 m	10.19.1102.6004B.60
	cut to length	10.19.1102.6004B-A00A00/□□□□mm
weight	kg/m	G = 0.67

Door stop profile		
Technical data material: Al Mg Si 0.5 F25 tensile strength: 250 N/mm ² surface: natural anodised		
		
	Description	Door stop profile
	bar, 6 m	10.19.1201.4422.60
	cut to length	10.19.1201.4422-A00A00/□□□□mm
weight	kg/m	G = 0.81

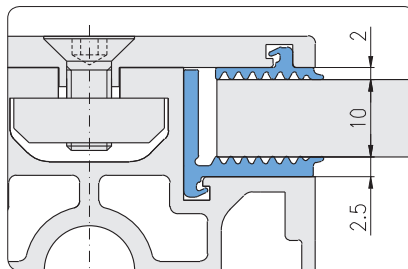
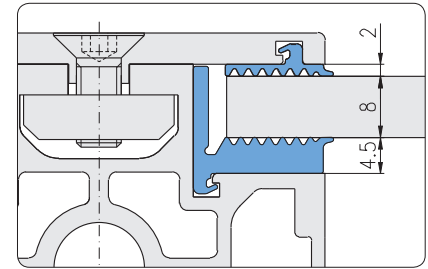
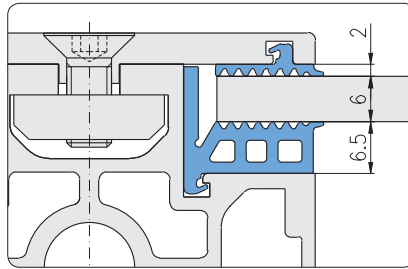
Ceiling frame profiles				
Technical data material: Al Mg Si 0.5 F25 tensile strength: 250 N/mm ² surface: natural				
				
	Description	Ceiling frame profile type A 40×10	Ceiling frame profile type B 55×13	
	bar, 6 m	10.19.1424010.60	10.19.1425513.60	
	cut to length	10.19.1424010-A00A00/□□□□mm	10.19.1425513-A00A00/□□□□mm	
weight	kg/m	G = 0.26	G = 0.37	

Seals



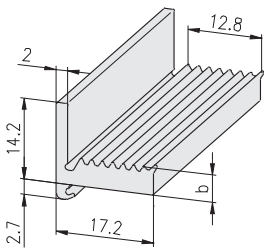
Application

Seals for windows or panel elements



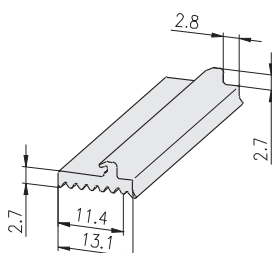
Technical data

length of ring: 100 m
 material: EPDM, 60° ± 5° Shore A
 • free of silicon
 • compatible with acrylic glass
 • water resistant
 colour: grey, similar to RAL 7035



Description	b		Weight	Article-No.
Seal for panel 2 mm	10.9	ring	19.8 kg/ring	10.41.7102.7035.99
Seal for panel 2 mm	10.9	cut to length	198 g/m	10.41.7102.7035-A00A00/...
Seal for panel 3 mm	9.9	ring	17.9 kg/ring	10.41.7103.7035.99
Seal for panel 3 mm	9.9	cut to length	179 g/m	10.41.7103.7035-A00A00/...
Seal for panel 4 mm	8.9	ring	17.0 kg/ring	10.41.7104.7035.99
Seal for panel 4 mm	8.9	cut to length	170 g/m	10.41.7104.7035-A00A00/...
Seal for panel 5 mm	7.9	ring	16.4 kg/ring	10.41.7105.7035.99
Seal for panel 5 mm	7.9	cut to length	164 g/m	10.41.7105.7035-A00A00/...
Seal for panel 6 mm	6.9	ring	15.3 kg/ring	10.41.7106.7035.99
Seal for panel 6 mm	6.9	cut to length	153 g/m	10.41.7106.7035-A00A00/...
Seal for panel 8 mm	4.8	ring	14.1 kg/ring	10.41.7108.7035.99
Seal for panel 8 mm	4.8	cut to length	141 g/m	10.41.7108.7035-A00A00/...
Seal for panel 10 mm	2.7	ring	9.3 kg/ring	10.41.7110.7035.99
Seal for panel 10 mm	2.7	cut to length	93 g/m	10.41.7110.7035-A00A00/...

/... = length in mm



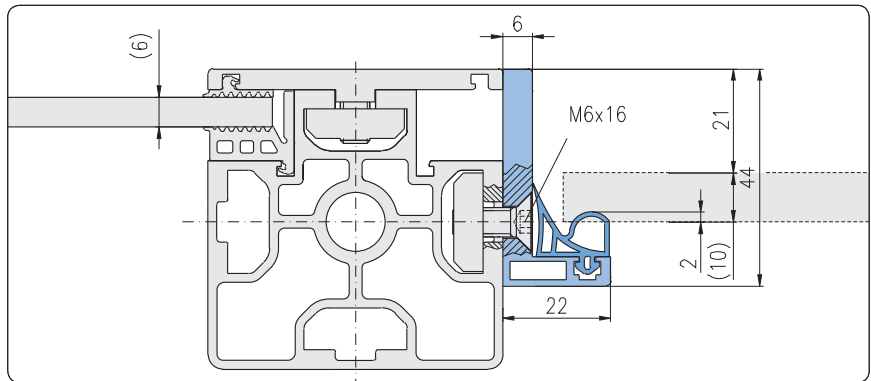
Description		Weight	Article-No.
Seal for compression profile	ring	5.1 kg/ring	10.41.7201.7035.99
Seal for compression profile	cut to length	51 g/m	10.41.7201.7035-A00A00/...

/... = length in mm

Door seal

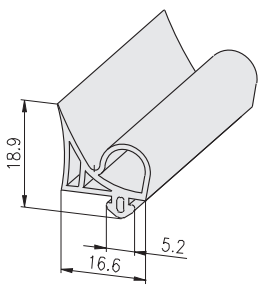


Application
For sealing doors



Technical data

length of ring: 100 m
 material: EPDM, 60° ± 5° Shore A
 • free of silicon
 • compatible with acrylic glass
 • water resistant
 colour: grey, similar to RAL 7035



Description

Weight Article-No.

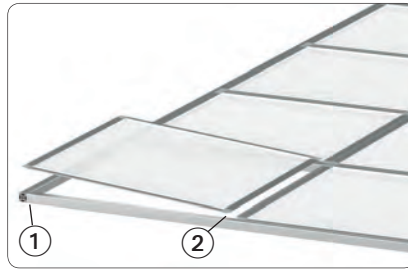
Door seal	ring	11,4 kg/ring	10.41.8115.7035.99
Door seal	cut to length	114 g/m	10.41.8115.7035-A00A00/... /... = length in mm

**Corner piece 40×10
for ceiling frame profile**

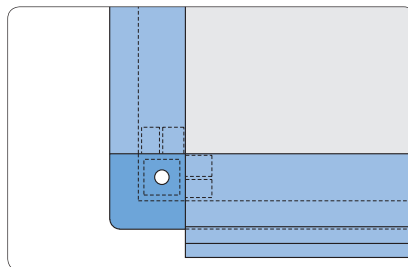
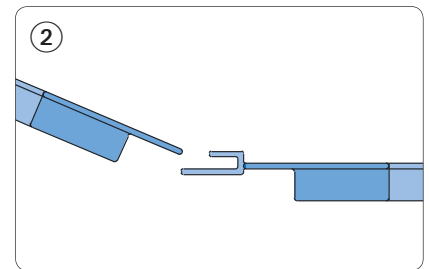
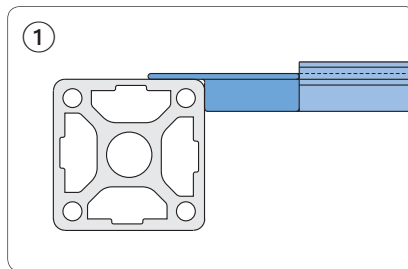


Application

Connection for ceiling frame profile



Ceiling element

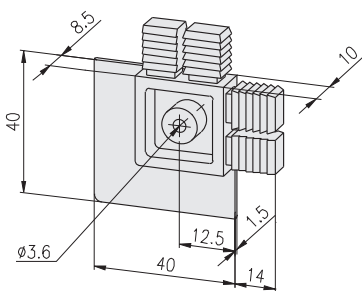


Corner piece

Technical data

material: PA - GF

colour: grey, similar to RAL 7035



Description

Corner piece 40×10

Weight

16 g

Article-No.

10.81.24010

Order comments

- Definition of quantities
 Article-Number
 □.□□.□□□□□□.□□□□.60 = 1 bar
 □.□□.□□□□□□.□□□□.61 = 1 PU (Packing Unit)
 □.□□.□□□□□□.□□□□.99 = 1 PU of 100 pieces
- Cut to length (= saw cut *→ catalogue "The Profile System 1/2018, English", page 59*)
 Price for cut to length = price (€/m) of bar + price of profile machining for saw cut + price of surcharge for scrap

Prices for profile machining

Page	Description	1 Piece
		€/Piece
59	Saw cut, price group 1 (A-E)	1,50
59	Saw cut, price group 2 (F-K)	2,30
59	Saw cut, price group 3 (L-P)	3,00
60	Cross bushing bore for connectors (A-K, X)	1,50
60	Bore for parallel-connector (Z)	2,60
60	Cross bore (Q)	1,50
60	Thread (L-W, Y)	2,00
	Surcharge for scrap:	10 %

Page	Article-No.	Description	bar 6 m		Packing Unit (PU)			
			€/m	€/bar	bars/PU	m/PU	€/m	€/PU
6	1.11.045045.22LP	Profile 45×45, 2E, corner, light, plain	17,47	104,85	8	48	16,08	772,00
6	1.11.045045.23LP	Profile 45×45, 2E, light, plain	17,47	104,85	8	48	16,08	772,00
6	1.11.045045.43LP	Profile 45×45, 4E, light, plain	13,33	79,97	8	48	12,27	589,00
12	1.11.060060.22SP	Profile 60×60, 2E, corner, heavy, plain	36,80	220,80	6	36	33,86	1.219,00
12	1.11.060060.23SP	Profile 60×60, 2E, heavy, plain	36,80	220,80	6	36	33,86	1.219,00
12	1.11.060060.43SP	Profile 60×60, 4E, heavy, plain	36,80	220,80	6	36	33,86	1.219,00
6	10.11.045045.13LP	Profile 45×45, 1E, light, plain	16,10	96,60	8	48	14,81	711,00
6	10.11.045045.22LP	Profile 45×45, 2E, corner, light, plain	16,10	96,60	8	48	14,81	711,00
6	10.11.045045.43LP	Profile 45×45, 4E, light, plain	16,10	96,60	8	48	14,81	711,00
12	10.11.057057.22LP	Profile 57×57, 2E, corner, light, plain	23,10	138,60	6	36	21,28	766,00
12	10.11.060054.44LP	Profile 60×54, 4E, light, plain	22,20	133,20	6	36	20,44	736,00
12	10.11.060057.14LP	Profile 60×57, 1E, light, plain	26,60	159,60	6	36	24,47	881,00
12	10.11.060057.44LP	Profile 60×57, 4E, light, plain	24,10	144,60	6	36	22,19	799,00
13	10.11.060117.64LP	Profile 60×117, 6E, light, plain	37,90	227,41	3	18	34,89	628,00
13	10.11.120120.47LP	Profile 120×120, 4E, angle, light, plain	50,50	303,00	2	12	46,50	558,00
	10.19.1100.4505	Compression profile 45×5	5,80	34,80				
	10.19.1100.5005	Compression profile 50×5	6,10	36,60				
14	10.19.1101.5704	Compression profile 57×4	6,70	40,20				
14	10.19.1101.6104	Compression profile 61×4	6,70	40,20				
14	10.19.1102.6004	Compression profile 60×4	6,70	40,20				
14	10.19.1102.6004B	Compression profile 60×4 with chamfer	7,25	43,50				
14	10.19.1201.4422	Door stop profile	7,20	43,20				
14	10.19.1424010	Ceiling frame profile typ A	2,61	15,66				
14	10.19.1425513	Ceiling frame profile typ B	3,57	21,42				

□.□□.□□□□□□.□□□□.60 = 1 bar / .61 = 1 PU / .99 = PU of 100 Pieces

Page	Article-No.	Description	cut	Piece	
				€/m	€/m €/Piece
15	10.41.7102.7035	Seal for panel 2 mm	ring 100 m	2,95	2,66 266,00
15	10.41.7103.7035	Seal for panel 3 mm	ring 100 m	2,85	2,57 257,00
15	10.41.7104.7035	Seal for panel 4 mm	ring 100 m	2,75	2,48 248,00
15	10.41.7105.7035	Seal for panel 5 mm	ring 100 m	2,65	2,39 239,00
15	10.41.7106.7035	Seal for panel 6 mm	ring 100 m	2,55	2,30 230,00
15	10.41.7108.7035	Seal for panel 8 mm	ring 100 m	2,35	2,12 212,00
15	10.41.7110.7035	Seal for panel 10 mm	ring 100 m	2,15	1,94 194,00
15	10.41.7201.7035	Seal for compression profile	ring 100 m	0,89	0,80 80,00
16	10.41.8115.7035	Door seal	ring 100 m	1,13	1,02 102,00

Page	Article-No.	Description	1 Piece	PU = 100 Pcs	
			€/Piece	€/Piece	€/PU
17	10.81.24010	Corner piece 40×10	1,13	1,02	102,00

□.□□.□□□□□□.□□□□.60 = 1 bar / .61 = 1 PU / .99 = PU of 100 Pieces

Commercial Terms and Conditions

Prices:

- All prices are valid in EUR.
- Prices do not include freight and packing.
- Sales Tax. if payable, will be charged at the applicable rate.
- Unless otherwise specified, all prices listed are for one item.

Payment:

- 2 % discount if paid within 14 days. All balances are due within 30 days of invoice.
- F.O.B. Shipping Point.

Minimum Order:

- A surcharge of EUR 15,00 will apply to all orders less than EUR 150,00.

Restocking Fee:

- In case of returned goods, a 20 % restocking fee will be charged with a minimum fee EUR 25,00.

Price Validity:

- This price list replaces all previous price lists. Error and price change are excepted.

Conditions:

- Subject to the 'General Terms and Conditions of Sale' available on request.

Imprint

Subject to technical modification.

All rights reserved.

Copying - also in parts - only allowed by
written consent.

© MayTec Aluminium Systemtechnik GmbH,
Germany, D - 82140 Olching, 2019

The key ...

to success

extremely strong

efficient

functional

Australia

MayTec Australia P/L
Unit 8, 175 James Ruse Drive
Rosehill, NSW 2142

country code: +61
phone (0)2/9898 9929
fax (0)2/9638 4086
info@maytec.com.au
www.maytec.com.au

Germany

MayTec Aluminium
Systemtechnik GmbH
Gewerbering 16
D-82140 Olching

country code: +49
phone (0)8142/6540-0
fax (0)8142/6540-119
mail@maytec.de
www.maytec.de

USA

MayTec Inc.
901 Wesemann Drive
West Dundee, IL 60118

country code: +1
phone 847-429-0321
fax 847-429-0460
mail@maytecinc.com
www.maytecinc.com

MayTec distributor